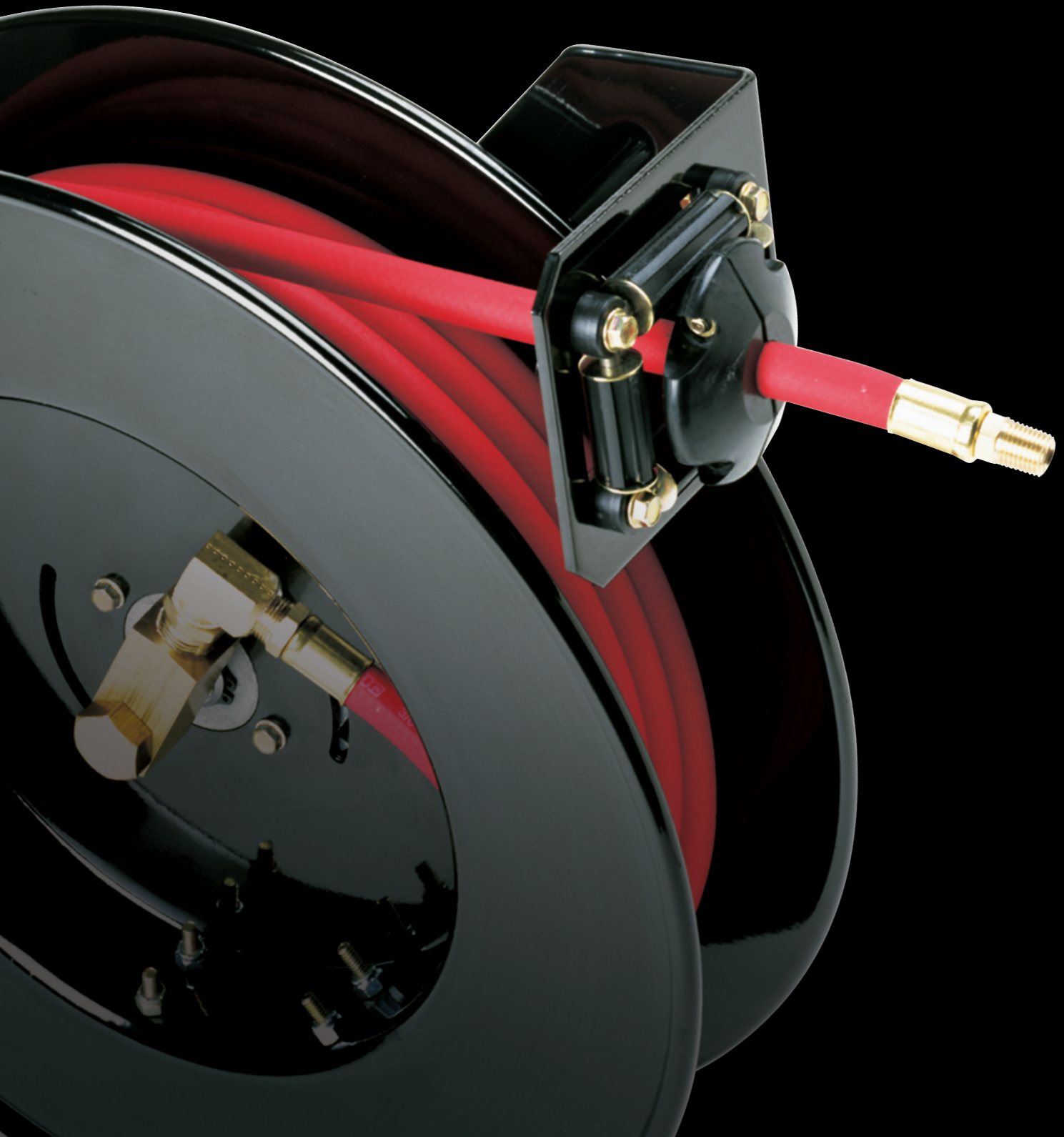


# HOSETRACT

## HOSE REELS

Your Reel Convenience Store<sup>®</sup>



# HOSETRACT

## HOSE REELS

**HOSETRACT REELS** should be employed when and where air, water, oil or grease hose has to be stored, whether it be inside, outside or on mobile units. Hose left unstored is vulnerable to many abuses which can greatly reduce hose life, resulting in unnecessary costs in hose and man hours.

### USER SERVICEABLE

**HOSETRACT REELS** have over two decades of hose reel design time integrated into them. Simplistic design reduces field service time, if necessary. Of course, the factory or our representatives are always available for assistance.

### HEAVY DUTY LONG LIFE CONSTRUCTION

**ALL HOSETRACT REELS** are assembled with self locking fasteners to avoid loosening in those applications where vibration is present. Each unit is manufactured from heavy gauge cold rolled metals, and permanently lubricated to assure many years of dependable service.

### SAFEGUARD SPRING

The drive spring is safety banded to facilitate changing in the field, if it becomes necessary, or the complete canister can be removed and replaced with another unit from the factory or distributor. Always include the model number of the reel to assure shipment of the correct replacement spring.

### UNIVERSAL INSTALLATION

The narrow size and the fact that the guide arm can be easily rotated to any of the positions shown, virtually solves all installation problems. Reels are shipped in the SF position unless other is requested.

Standard Front



SF

Standard Ceiling



SC

Standard Mezzanine



SM

Rear Floor



RF

### Other Features

Fully closed bead on spool to prevent hose cutting  
Hidden latch mechanism to prevent grime buildup  
Narrow size – only 6 1/2" wide (C Series) • 304 Stainless Available

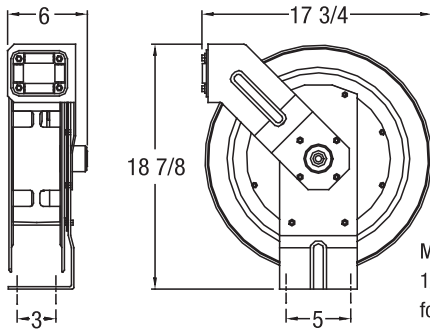


Hostract has introduced the new expedited reel shipping program, which when order qualified, prompts our order department to process and pull stock to ship in 3 working days or less. In most cases this applies to orders of 6 reels or less.

# HOSETRACT

## HOSE REELS

Inlet — 1/2" FPT    Max. Temp. — 200°F



Mounting Slots  
1/2" wide x 3/4" deep  
for max 7/16" dia. bolt

Reels shipped standard of hose payout position. For ceiling mount add suffix sc.

US Patent Number  
6,978,960



For 3/8" Hose I.D.

## Unitract™ Nitrogen Delivery Hose Reel

*With all the features of the compact, low cost user friendly Unitract Series*

- Parker high performance push loc hose
- Hose ends can be easily changed in field with no crimping
- Green for easy identification
- Standard flexible 3/8" ID with flame resistant neoprene cover and nitrogen impervious blended nitrile tube

### FEATURES

- Weighs 10 lbs. less than our standard reels
- Simple design incorporates fewer parts
- Unitized multi-functional hub arbor
- Single set screw to access latch area and spring case
- 8 Position guide arm
- Heavy gauge base with no welds
- Minimal size envelope permits installation where space is a factor

Model Number	Operating Pressure	Hose I.D.	Hose Length	Shipping Weight
UTL-350NG	300 PSI	3/8 IN.	50 FT.	41#



Hosetract Industries, LTD. • P: 260.489.8828 • F: 260.489.6088

HOSETRACT 

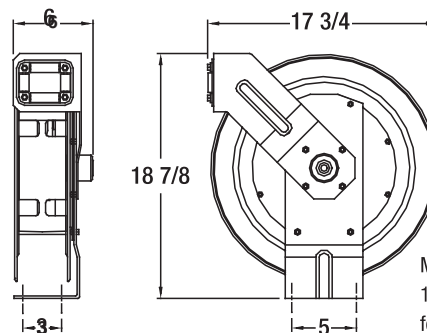
# HOSETRACT

## HOSE REELS



Reels shipped standard of hose payout position. For ceiling mount add suffix sc.

Inlet — 1/2" FPT Max. Temp. — 200°F



Mounting Slots  
1/2" wide x 3/4" deep  
for max 7/16" dia. bolt



For 3/8" and 1/2" Hose I.D.

## Unitract™ Series

**LOW PRESSURE** reels are ideally suited for plant maintenance or many other industrial functions where hose storage is a problem. Standard hose for air, water and oxygen/acetylene applications. Hose can be dispensed and retracted with greater ease and expedience than coiling by hand. The Unitract™ series fits easily into height restricted areas, and is a lighter duty reel. Not designed for truck mount applications.

### FEATURES

- Weighs 10 lbs. less than our standard reels
- Unitized multi-functional hub arbor
- 8 Position guide arm
- Minimal size envelope permits installation where space is a factor
- Simple design incorporates fewer parts
- Single set screw to access latch area and spring case
- Heavy gauge base with no welds

Model Number	Operating Pressure	Hose I.D.	Hose Length	Shipping Weight
UTL-300*	1000 PSI	3/8 IN.	—	36#
UTL-325	300 PSI	3/8 IN.	25 FT.	38#
UTL-330	300 PSI	3/8 IN.	30 FT.	38#
UTL-335	300 PSI	3/8 IN.	35 FT.	40#
UTL-340	300 PSI	3/8 IN.	40 FT.	41#
 UTL-350	300 PSI	3/8 IN.	50 FT.	41#
UTL-500*	1000 PSI	1/2 IN.	—	36#
UTL-540	300 PSI	1/2 IN.	40 FT.	43#
 UTL-550	300 PSI	1/2 IN.	50 FT.	47#

\* Models without hose.



Hosetract Industries, LTD. • P: 260.489.8828 • F: 260.489.6088

HOSETRACT 

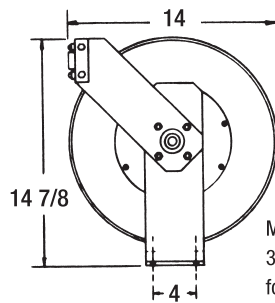
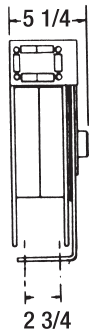


# HOSETRACT

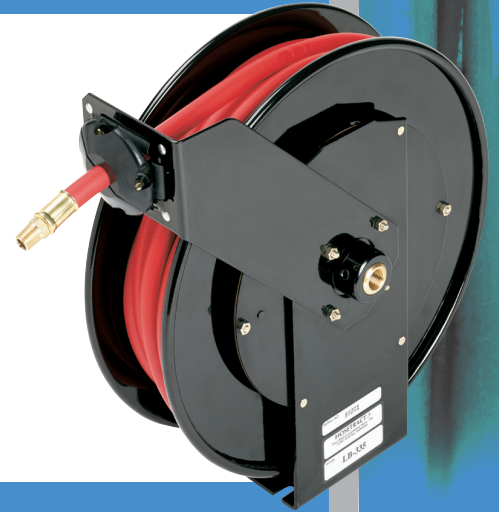
## HOSE REELS

Inlet — 3/8" FPT Max. Temp. — 200°F

Reels shipped standard of hose payout position. For ceiling mount add suffix sc.



Mounting Slots  
3/8" wide x 3/4" deep  
for max 5/16" dia. bolt






For 1/4" and 3/8" Hose I.D.

## B Series

The **B Series Reels** are applied well where shorter, low volume hoses are used, such as auto-truck service garages for all air applications as well as anti-freeze, motor oil, ATF and grease. The all brass main shaft and swivel assure less corrosion for extended seal life in the low pressure rating (up to 1000 PSI).

### LOW PRESSURE Air, water, anti-freeze.

Model Number	Operating Pressure	Hose I.D.	Hose Length	Shipping Weight
LB-200*	1000 PSI	1/4 IN.	—	25#
LB-225	300 PSI	1/4 IN.	25 FT.	26#
LB-230	300 PSI	1/4 IN.	30 FT.	27#
LB-235	300 PSI	1/4 IN.	35 FT.	28#
LB-240	300 PSI	1/4 IN.	40 FT.	29#
LB-250	300 PSI	1/4 IN.	50 FT.	30#
 LB-300*	1000 PSI	3/8 IN.	—	25#
LB-320	300 PSI	3/8 IN.	20 FT.	26#
 LB-325	300 PSI	3/8 IN.	25 FT.	27#
LB-330	300 PSI	3/8 IN.	30 FT.	27#
 LB-335	300 PSI	3/8 IN.	35 FT.	28#
LB-500*	1000 PSI	1/2 IN.	—	25#

### MEDIUM PRESSURE Motor oil, ATF. Standard 1-wire braid hose furnished.

MB-300*	2500 PSI	3/8 IN.	—	22#
MB-320	2500 PSI	3/8 IN.	20 FT.	29#
MB-325	2500 PSI	3/8 IN.	25 FT.	30#
MB-330	2500 PSI	3/8 IN.	30 FT.	31#
MB-335	2500 PSI	3/8 IN.	35 FT.	32#

### HIGH PRESSURE Grease. Standard 2-wire braid hose furnished.

HB-200*	8000 PSI	1/4 IN.	—	23#
HB-220	5000 PSI	1/4 IN.	20 FT.	29#
HB-225	5000 PSI	1/4 IN.	25 FT.	30#
HB-230	5000 PSI	1/4 IN.	30 FT.	31#
HB-235	5000 PSI	1/4 IN.	35 FT.	32#

\* Models without hose.

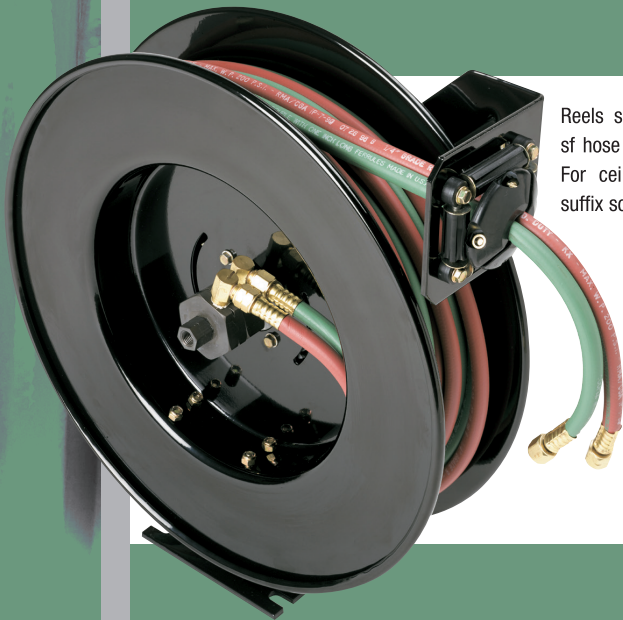


Hosetract Industries, LTD. • P: 260.489.8828 • F: 260.489.6088

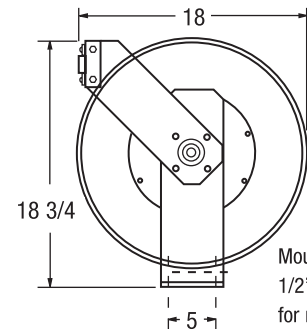
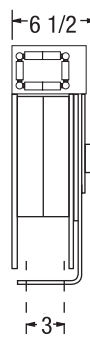
HOSETRACT 

# HOSETRACT

## HOSE REELS



Reels shipped standard  
sf hose payout position.  
For ceiling mount add  
suffix sc.



Mounting Slots  
1/2" wide x 3/4" deep  
for max 7/16" dia. bolt

Oxy Inlet — 1/4" FPT  
Acet Inlet — 1/4" FPT

Max. Temp. — 200°F



For 1/4" Siamese Hose

## Oxygen/Acetylene Hose Reel

*Reel is ideally applied when space and safety is required in the welding & cutting area. The reel is capable of storing and dispensing 50' length of twin siamese welding hose.*

### FEATURES

- The exclusive dual hex was designed by the original designer of this dual body concept
- The major advantage of the swivel design is that in the event of an O-ring failure, the gases will go to atmosphere instead of mixing
- Safety banded drive spring
- The swivel is marked for the acetylene side with notches on the hex nuts for easy identification
- Beaded edges on spool prevents hose damage or injury to operator
- 8-position guide arm

	Model Number	Operating Pressure	Hose I.D.	Hose Length	Shipping Weight
	COA-200*	1000 PSI	1/4 IN.	—	46#
	COA-250	200 PSI	1/4 IN.	50 FT. (Twin)	54#
	UTL-200-OA*	1000 PSI	1/4 IN.	—	36#
	UTL-250-OA	200 PSI	1/4 IN.	50 FT. (Twin)	44#

COA models are the C series, heavy duty standard reels.

UTL models are the Unitract series, lighter duty reels not designed for truck mount applications.

\* Models without hose.

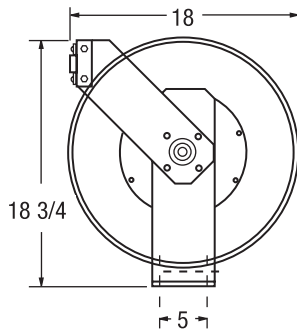
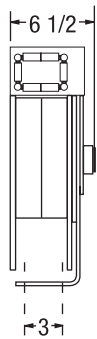


Hosetract Industries, LTD. • P: 260.489.8828 • F: 260.489.6088

# HOSETRACT

## HOSE REELS

Inlet - 1/2" FTP Max. Temp. - 200°F



Reels shipped standard of hose payout position. For ceiling mount add suffix sc.

Mounting Slots  
1/2" wide x 3/4" deep  
for max 7/16" dia. bolt



Available in  
Powder Coat or (304)  
Stainless Steel



For 1/4", 3/8" and 1/2" Hose I.D.

## C Series

**LOW PRESSURE** reels are ideally suited for plant maintaining, service trucks or many other industrial functions where hose storage is a problem. Standard hose for air, water, and water based solutions. Other hoses available upon request.

	Model Number	Operating Pressure	Hose I.D.	Hose Length	Shipping Weight
	LC-300*	1000 PSI	3/8 IN.	—	46#
	LC-340	300 PSI	3/8 IN.	40 FT.	49#
	LC-350	300 PSI	3/8 IN.	50 FT.	50#
	LC-370	300 PSI	3/8 IN.	70 FT.	54#
	LC-500*	1000 PSI	1/2 IN.	—	46#
	LC-540	300 PSI	1/2 IN.	40 FT.	53#
	LC-550	300 PSI	1/2 IN.	50 FT.	57#

**MEDIUM PRESSURE** reels are required when higher pressures are involved for air, water, or heavier oils. Standard 1-wire braid hose furnished.

	MC-300*	4000 PSI	3/8 IN.	—	47#
	MC-340	2500 PSI	3/8 IN.	40 FT.	56#
	MC-350	2500 PSI	3/8 IN.	50 FT.	58#
	MC-500*	4000 PSI	1/2 IN.	—	47#
	MC-530	2500 PSI	1/2 IN.	30 FT.	56#
	MC-540	2500 PSI	1/2 IN.	40 FT.	58#
	MC-550	2500 PSI	1/2 IN.	50 FT.	61#

**HIGH PRESSURE** reels are used exclusively where grease is being applied as in lube applications for off-road service or garage lube systems. Standard 2-wire braid hose furnished.

	HC-200*	8000 PSI	1/4 IN.	—	46#
	HC-240	5000 PSI	1/4 IN.	40 FT.	56#
	HC-250	5000 PSI	1/4 IN.	50 FT.	59#
	HC-300*	8000 PSI	3/8 IN.	—	46#
	HC-330	4000 PSI	3/8 IN.	30 FT.	56#
	HC-340	4000 PSI	3/8 IN.	40 FT.	58#
	HC-350	4000 PSI	3/8 IN.	50 FT.	62#

\* Models without hose.



Hosetract Industries, LTD. • P: 260.489.8828 • F: 260.489.6088

HOSETRACT 

# HOSETRACT

## HOSE REELS



Reels available only in standard rf hose payout position.

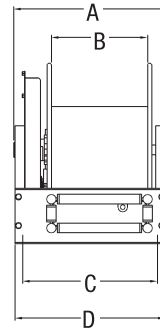
Ceiling mount bracket available on page 18

Mounting holes 1/2" dia. for max 3/8" dia. bolt

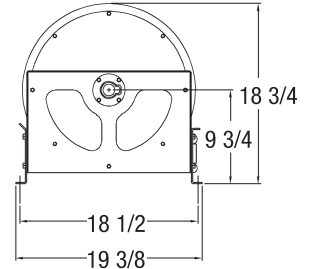
	3/8 & 1/2	1/2 Dual	3/4 & 1
A	12 1/2	16 1/2	16 1/2
B	6	10	10
C	10	14	14
D	11 5/8	15 5/8	*20

\*with swivel installed

3/8" & 1/2" Hose ID – Inlet 1/2" FPT  
3/4" & 1" Hose ID – Inlet 1" FPT



Max. Temp. — 200°F



For 3/8", 1/2", 3/4", and 1" Hose I.D.

## D Series

Meets requirements for higher volume 3/4 and 1 inch hose applications. Suitable for air, water, oil, diesel fuel and grease where longer lengths of hose are required.

## FEATURES

- Safety banded spring in sealed springcase
- Full 1 inch flow path
- Compact design
- Guide rollers allow frictionless retrieval of hose
- Heavy duty spool and frame design

**LOW PRESSURE** Air, water, solvents

Model Number	Operating Pressure	Hose I.D.	Hose Length	Shipping Weight
LD-300*	1000 PSI	3/8 IN.	—	68#
LD-3100	300 PSI	3/8 IN.	100 FT.	99#
LD-500*	1000 PSI	1/2 IN.	—	68#
LD-575	300 PSI	1/2 IN.	75 FT.	90#
LD-590	300 PSI	1/2 IN.	90 FT.	95#
LD-5100	300 PSI	1/2 IN.	100 FT.	99#
LD-700*	300 PSI	3/4 IN.	—	81#
LD-750	300 PSI	3/4 IN.	50 FT.	95#
LD-770	300 PSI	3/4 IN.	70 FT.	99#
LD-775	300 PSI	3/4 IN.	75 FT.	101#
LD-1000*	300 PSI	1 IN.	—	76#
LD-1025	300 PSI	1 IN.	25 FT.	95#
LD-1045	300 PSI	1 IN.	45 FT.	99#
LD-1050	300 PSI	1 IN.	50 FT.	102#

**MEDIUM PRESSURE** Oils, solvents

MD-300	4000 PSI	3/8 IN.	—	75#
MD-3100	2500 PSI	3/8 IN.	100 FT.	102#
MD-500*	4000 PSI	1/2 IN.	—	75#
MD-500* dual	4000 PSI	1/2 IN.	— (50 E.A. Hose)FT.	75#
MD-575	2500 PSI	1/2 IN.	75 FT.	95#
MD-700*	2000 PSI	3/4 IN.	—	75#
MD-750	1500 PSI	3/4 IN.	50 FT.	100#

**HIGH PRESSURE** Grease, heavy oils

HD-300*	5000 PSI	3/8 IN.	—	70#
HD-375	4000 PSI	3/8 IN.	75 FT.	85#

\* D Series Reels must be shipped by truck only

\* Models without hose.



Hosetract Industries, LTD. • P: 260.489.8828 • F: 260.489.6088

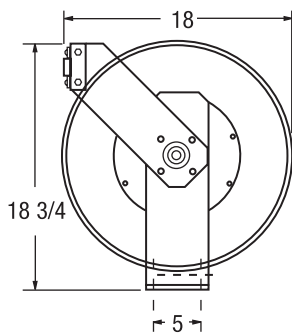


# HOSETRACT

## HOSE REELS

Inlet — 1/2" FPT

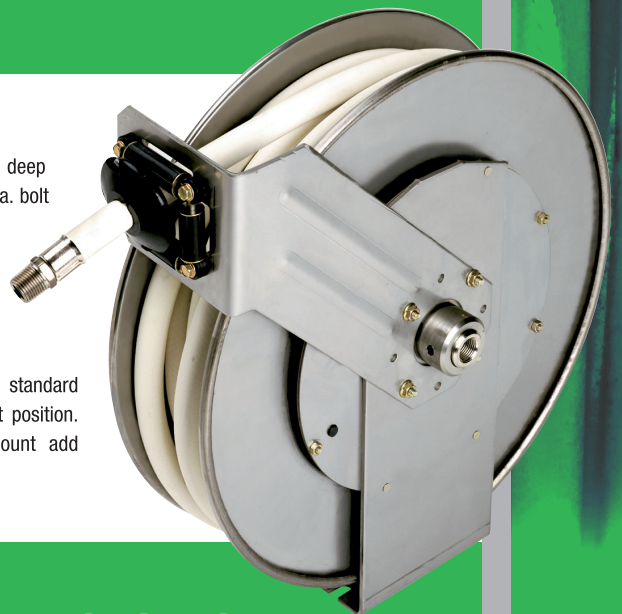
Max. Temp. — 200°F



Mounting Slots

1/2" wide x 3/4" deep  
for max 7/16" dia. bolt

Reels shipped standard  
of hose payout position.  
For ceiling mount add  
suffix sc.



For 3/8" and 1/2" Hose I.D.

## CS Series

**304 STAINLESS STEEL** Reels should be utilized in harsh environments, such as chemical clean up or when an exceptionally clean area has to be maintained for food or beverage process. The latch mechanism is non-sparking in the event flammable gases or liquids are present. Only available in low pressure.

### LOW PRESSURE ONLY

Model Number	Operating Pressure	Hose I.D.	Hose Length	Shipping Weight
LCS-300*	1000 PSI	3/8 IN.	—	40#
LCS-340	300 PSI	3/8 IN.	40 Ft.	44#
LCS-350	300 PSI	3/8 IN.	50 Ft.	45#
LCS-370	300 PSI	3/8 IN.	70 Ft.	51#
LCS-500*	1000 PSI	1/2 IN.	—	40#
LCS-540	300 PSI	1/2 IN.	40 Ft.	50#
LCS-550	300 PSI	1/2 IN.	50 Ft.	56#

### OPTIONS AVAILABLE

Air / Water application hose

White washdown hose

Chemical application hose

\* Models without hose.



Hosetract Industries, LTD. • P: 260.489.8828 • F: 260.489.6088

HOSETRACT 

# HOSETRACT

## HOSE REELS



Reels available only in standard rf hose payout position.

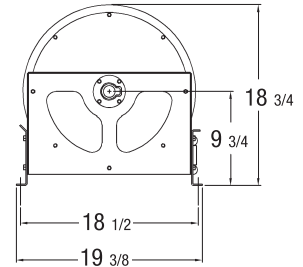
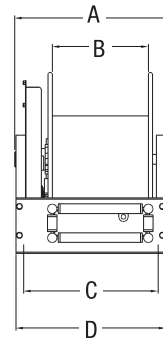
Ceiling mount bracket available on page 18

Mounting holes 1/2" dia.

	3/4 & 1
A	16 1/2
B	10
C	14
D	*20

\*with swivel installed

Inlet — 1" FPT    Max. Temp. — 200°F



For 3/4" and 1" Hose I.D.

## DS Series

**304 STAINLESS STEEL** Reels should be utilized in harsh environments, such as chemical clean up or when an exceptionally clean area has to be maintained for food or beverage process. The latch mechanism is non-sparking in the event flammable gases or liquids are present. Only available in low pressure.

### LOW PRESSURE ONLY

Model Number	Operating Pressure	Hose I.D.	Hose Length	Shipping Weight
LDS-700*	300 PSI	3/4 IN.	—	73#
LDS-740	300 PSI	3/4 IN.	40 Ft.	75#
LDS-750	300 PSI	3/4 IN.	50 Ft.	80#
LDS-770	300 PSI	3/4 IN.	70 Ft.	86#
LDS-1000*	300 PSI	1 IN.	—	73#
LDS-1025	300 PSI	1 IN.	25 Ft.	80#
LDS-1045	300 PSI	1 IN.	45 Ft.	90#

ALL STAINLESS DS SERIES ARE SHIPPED WITH A NICKEL PLATED SWIVEL

### OPTIONS AVAILABLE

Air / Water application hose

White washdown hose

Chemical application hose

\* Models without hose.

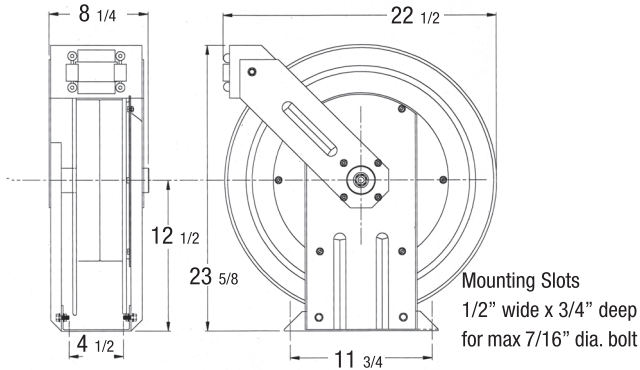


Hosetract Industries, LTD. • P: 260.489.8828 • F: 260.489.6088

# HOSETRACT

## HOSE REELS

LG & MG — Inlet 1/2" FPT Max. Temp. — 200°F  
 HG — Inlet 3/8" FPT



Reels shipped standard  
 of hose payout position.  
 For ceiling mount add  
 suffix sc.

Standard Black  
 Powder Coat



For 3/8" and 1/2" Hose I.D. - Heavy Duty • Dual Base • Dual Guide Arm

## G Series

**LOW PRESSURE** reels are ideally suited for plant maintaining, service trucks or many other industrial functions where hose storage is a problem. Standard hose for air, water, and antifreeze solutions. Other hoses available upon request.

Model Number	Operating Pressure	Hose I.D.	Hose Length	Shipping Weight
LG-300*	1000 PSI	3/8 IN.	—	75#
LG-375	300 PSI	3/8 IN.	75 FT.	90#
LG-3100	300 PSI	3/8 IN.	100 FT.	95#
LG-500*	1000 PSI	1/2 IN.	—	75#
LG-550	300 PSI	1/2 IN.	50 FT.	85#
LG-575	300 PSI	1/2 IN.	75 FT.	95#

**MEDIUM PRESSURE** reels are required when higher pressures are involved for air, water, or heavier oils. Standard 1-wire braid hose furnished.

MG-300*	4000 PSI	3/8 IN.	—	75#
MG-375	2500 PSI	3/8 IN.	75 FT.	90#
MG-500*	4000 PSI	1/2 IN.	—	75#
MG-550	2500 PSI	1/2 IN.	50 FT.	85#
MG-575	2500 PSI	1/2 IN.	75 FT.	95#

**HIGH PRESSURE** reels are used exclusively where grease is being applied as in lube applications for off-road service or garage lube systems. Standard 2-wire braid hose furnished.

HG-2100	5000 PSI	1/4 IN.	100 FT.	90#
HG-300*	8000 PSI	3/8 IN.	—	75#
HG-350	5000 PSI	3/8 IN.	50 FT.	85#
HG-375	5000 PSI	3/8 IN.	75 FT.	90#

\* Models without hose.

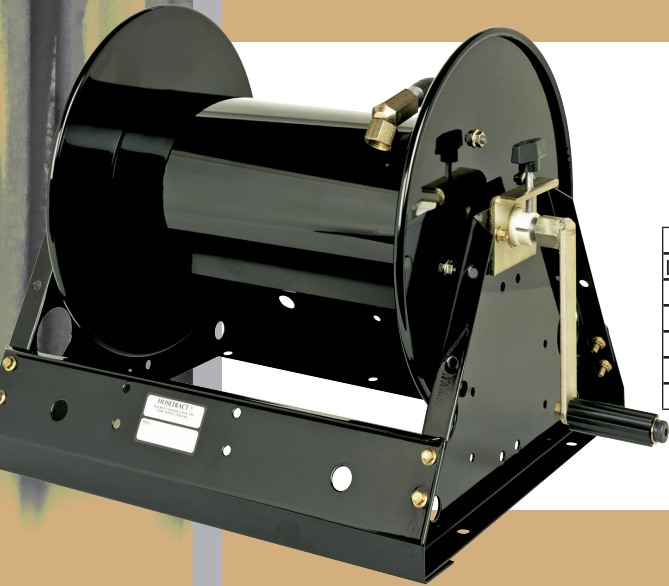


Hosetract Industries, LTD. • P: 260.489.8828 • F: 260.489.6088

HOSETRACT 

# HOSETRACT

## HOSE REELS

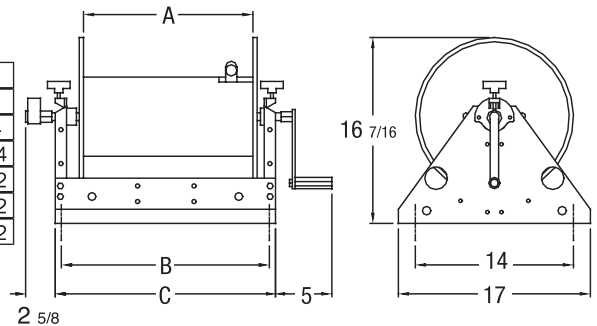


All reels shipped less hose unless requested on quote basis.

Mounting holes 1/2" dia.

Inlet — 1/2" FPT    Max. Temp. — 200°F

SERIES	DIMENSIONS		
	A	B	C
M 5-5	5	7 3/4	8 3/4
M 10-5	10	12 3/4	13 3/4
M 15-5	15	18 1/2	19 1/2
M 20-5	20	23 1/2	24 1/2
M 25-5	25	28 1/2	29 1/2



For 3/8" and 1/2" Hose I.D.

## Low-Pro Series

**MANUAL DRIVEN HOSE REELS. REEL** is ideally applied where long lengths of hose are required, as in Agriculture, Power Wash, Pest Maintenance, and Construction trades. Hose can be dispensed and retracted with greater ease and expedience than coiling by hand. The Low-Pro series fits easily into height restricted areas.

## FEATURES

- Fits into areas where less head room is available
- Flow through shaft for left or right hand installation
- Self lubricating ABS bearings
- Mounting base is light and strong
- External swivel can be serviced on the reel
- Fully adjustable brake - adjust tension with hand knob

Model Number	Operating Pressure	Capacity Hose I.D.		Shipping Weight
		3/8"	1/2"	
M 5-5 Low-Pro	4000 PSI	75 FT.	50 FT.	30#
M 10-5 Low-Pro	4000 PSI	150 FT.	100 FT.	37#
M 15-5 Low-Pro	4000 PSI	225 FT.	150 FT.	49#
M 20-5 Low-Pro	4000 PSI	300 FT.	200 FT.	59#
M 25-5 Low-Pro	4000 PSI	375 FT.	250 FT.	72#

Guide system available for 10", 15", 20", 25" wide reels. Sold separately (page 20).

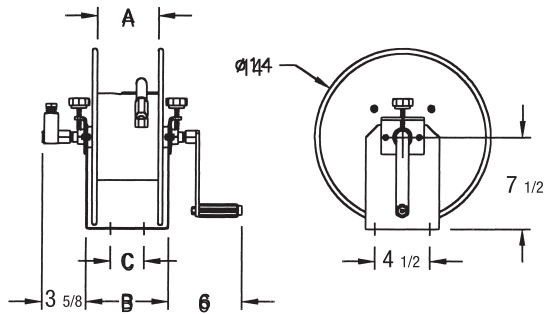


# HOSETRACT

## HOSE REELS

Inlet — 1/2" FPT    Max. Temp. — 200°F

All reels shipped less hose unless requested on quote basis.



Mounting holes 1/2" dia.

SERIES	DIMENSIONS		
	A	B	C
M 5-5-14	5	7	2 3/4
M 10-5-14	10	12	7 3/4



For 3/8" and 1/2" Hose I.D.

## M Series Mini

**COMPACT MANUAL DRIVEN MINI-REEL.** REEL is best applied where a maximum of 150 ft. of 3/8" I.D. hose is required, and where space or weight is a critical factor. This products is ideally fitted into tight space applications such as small truck skid units for pesticides, pressure wash or deployment of air tools in the construction trades.

### FEATURES

- Beaded edges on spool prevents hose damage or injury to operator
- Heavy 12 GA. base
- Heavy duty ABS bearings require no lubrication for years of dependable service
- Fully adjustable brake - adjust with hand knob
- Only 14 1/2" tall
- External swivel can be serviced on the reel

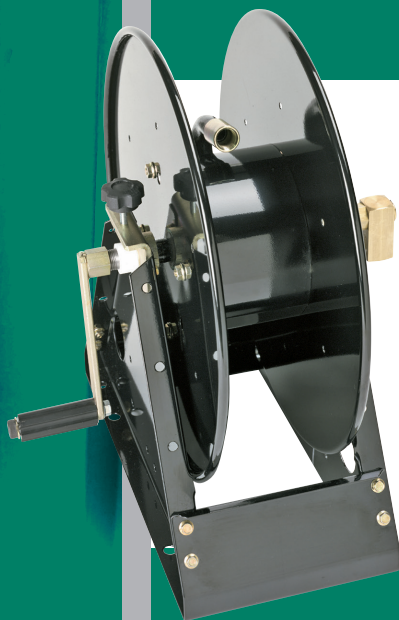
Model Number	Operating Pressure	Capacity Hose I.D.		Shipping Weight
		3/8"	1/2"	
M 5-5-14	4000 PSI	75 FT.	50 FT.	20#
M 10-5-14	4000 PSI	150 FT.	100 FT.	23#

M Series Mini Hose Reels also available in stainless steel. Call factory for more details.



# HOSETRACT

## HOSE REELS

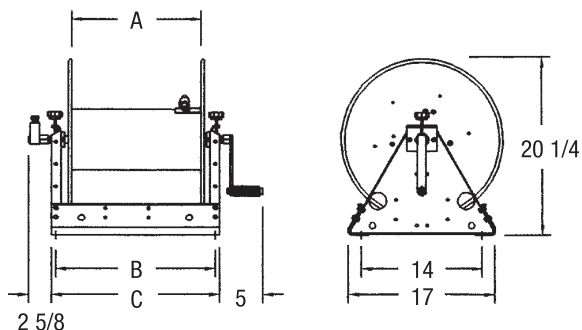


All reels shipped less hose unless requested on quote basis.

Inlet — 1/2" FPT    Max. Temp. — 200°F

Mounting holes 1/2" dia.

SERIES	DIMENSIONS		
	A	B	C
M 5	5	7 3/4	8 3/4
M 10	10	12 3/4	13 3/4
M 15	15	18 1/2	19 1/2
M 20	20	23 1/2	24 1/2
M 25	25	28 1/2	29 1/2



For 3/8" and 1/2" Hose I.D.

## M Series

**MANUAL DRIVEN HOSE REELS. REEL** is ideally applied where long lengths of hose are required, as in Agriculture, Power Wash, Pest Control and Construction trades. Hose can be dispensed and retracted with greater ease and expedience than coiling by hand.

### FEATURES

- Flow through shaft for universal installation
- Self lubricating ABS bearings
- External swivel can be serviced on the reel
- Fully adjustable nylon brake - adjust tension with hand knob
- Mounting base is light and strong

Model Number	Operating Pressure	Capacity Hose I.D.		Shipping Weight
		3/8"	1/2"	
M 5-5	4000 PSI	100 FT.	75 FT.	30#
M 10-5	4000 PSI	250 FT.	175 FT.	37#
M 15-5	4000 PSI	350 FT.	275 FT.	49#
M 20-5	4000 PSI	450 FT.	375 FT.	59#
M 25-5	4000 PSI	550 FT.	475 FT.	72#

Guide system available for 10", 15", 20", 25" wide reels. Sold separately (page 20).  
M Series Hose Reels also available in stainless steel. Call factory for more details.

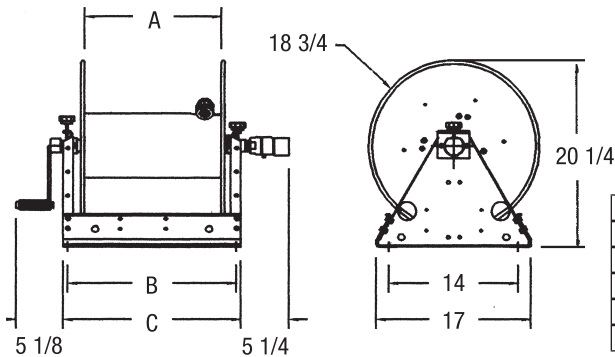
HOSETRACT 



# HOSETRACT

## HOSE REELS

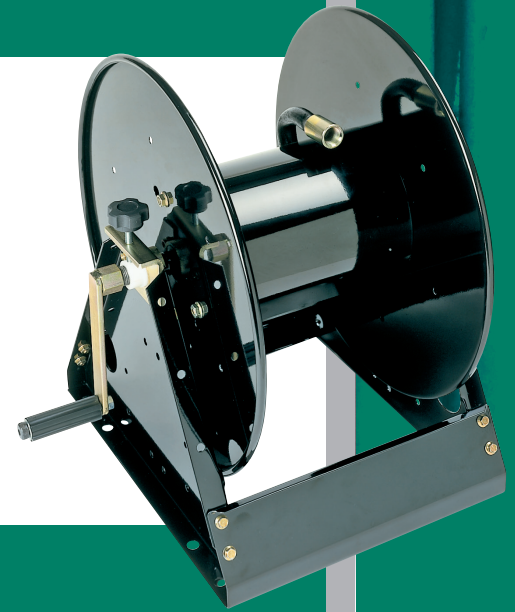
Inlet — 1" FPT    Max. Temp. — 200°F



All reels shipped less hose unless requested on quote basis.

Mounting holes 1/2" dia.

SERIES	DIMENSIONS		
	A	B	C
M 10	10	12 3/4	13 3/4
M 15	15	18 1/2	19 1/2
M 20	20	23 1/2	24 1/2
M 25	25	28 1/2	29 1/2



For 3/4" and 1" Hose I.D.

## M Series

**MANUAL DRIVEN HOSE REELS. REEL** is ideally applied where long lengths of hose are required, as in Agriculture, Power Wash, Pest Control and Construction trades. Hose can be dispensed and retracted with greater ease and expedience than coiling by hand.

### FEATURES

- Flow through shaft for left or right hand installation
- Self lubricating ABS bearings
- External swivel can be serviced on the reel
- Fully adjustable nylon brake - adjust tension with hand knob
- Mounting base is light and strong

Model Number	Operating Pressure	Capacity Hose I.D.		Shipping Weight
		3/4"	1"	
M 10-10	300 PSI	75 FT.	50 FT.	40#
M 15-10	300 PSI	100 FT.	75 FT.	49#
M 20-10	300 PSI	125 FT.	100 FT.	59#
M 25-10	300 PSI	150 FT.	125 FT.	72#

Guide system available for 10", 15", 20", 25" wide reels. Sold separately (page 20).

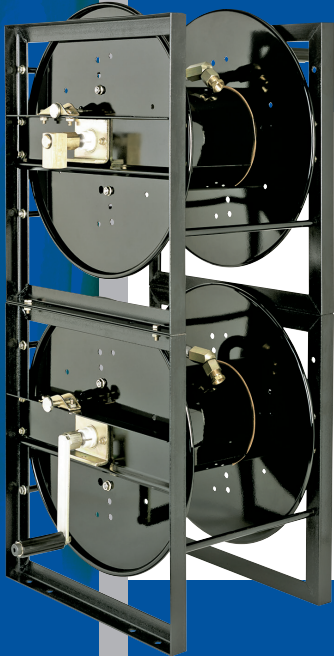


Hosetract Industries, LTD. • P: 260.489.8828 • F: 260.489.6088

HOSETRACT 

# HOSETRACT

## HOSE REELS



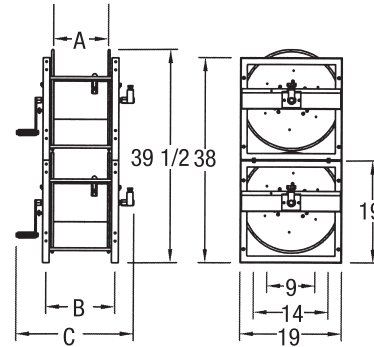
Pictured as two units. Each sold separately.

All reels shipped less hose unless requested on quote basis.

Mounting holes 1/2" dia.

SERIES	DIMENSIONS		
	A	B	C
SFM 10	10	12 3/4	21 3/8
SFM 15	15	18 1/2	27 1/8
SFM 20	20	23 1/2	32 1/8
SFM 25	25	28 1/2	37 1/8

Inlet — 1/2" Female Through Swivel      Max. Temp. — 200°F



For 3/8" and 1/2" Hose I.D.

## Stack Frame

**MANUAL DRIVEN HOSE REELS. REEL** is ideally applied where long lengths of hose are required, as in Agriculture, Power Wash, Pest Control and Construction trades. Hose can be dispensed and retracted with greater ease and expedience than coiling by hand.

## FEATURES

- Flow through shaft for left or right hand installation
- Stack capability with no added parts
- Self lubricating ABS bearings
- External swivel - heavy duty 4000 PSI for longer service
- Fully adjustable brake - adjust tension with hand knob
- Positive lock pin
- Mounting base is light and strong
- 3 or 4 roller kits can be mounted top or bottom position (sold separately)

Model Number	Operating Pressure	Capacity Hose I.D.		Shipping Weight
		3/8"	1/2"	
SFM 10-5	4000 PSI	250 FT.	175 FT.	40#
SFM 15-5	4000 PSI	350 FT.	275 FT.	49#
SFM 20-5	4000 PSI	450 FT.	375 FT.	59#
SFM 25-5	4000 PSI	550 FT.	475 FT.	72#

Roller kits available in 3 or 4 roller configurations. Sold separately.  
Recommended stacking limit at two units high.

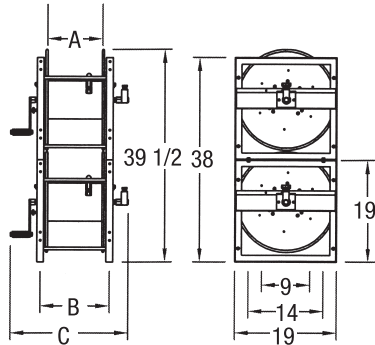


# HOSETRACT

## HOSE REELS

Inlet — 1" Female Through Swivel    Max. Temp. — 200°F

Pictured as two units.  
Each sold separately.



All reels shipped less  
hose unless requested  
on quote basis.

Mounting holes 1/2" dia.

SERIES	DIMENSIONS		
	A	B	C
SFM 10	10	12 3/4	21 3/8
SFM 15	15	18 1/2	27 1/8
SFM 20	20	23 1/2	32 1/8
SFM 25	25	28 1/2	37 1/8



For 3/4" and 1" Hose I.D.

## Stack Frame

**MANUAL DRIVEN HOSE REELS. REEL** is ideally applied where long lengths of hose are required, as in Agriculture, Power Wash, Pest Control and Construction trades. Hose can be dispensed and retracted with greater ease and expedience than coiling by hand.

### FEATURES

- Flow through shaft for left or right hand installation
- Stack capability with no added parts
- Self lubricating ABS bearings
- External swivel - heavy duty and greasable for longer service
- Fully adjustable brake - adjust tension with hand knob
- Positive lock pin
- Mounting base is light and strong
- 3 or 4 roller kits can be mounted top or bottom position (sold separately)

Model Number	Operating Pressure	Capacity Hose I.D.		Shipping Weight
		3/4"	1"	
SFM 10-10	300 PSI	75 FT.	50 FT.	37#
SFM 15-10	300 PSI	100 FT.	75 FT.	50#
SFM 20-10	300 PSI	125 FT.	100 FT.	59#
SFM 25-10	300 PSI	150 FT.	125 FT.	72#

Roller kits available in 3 or 4 roller configurations. Sold separately.  
Recommended stacking limit at two units high.



Hosetract Industries, LTD. • P: 260.489.8828 • F: 260.489.6088

HOSETRACT 

# HOSETRACT

## HOSE REELS

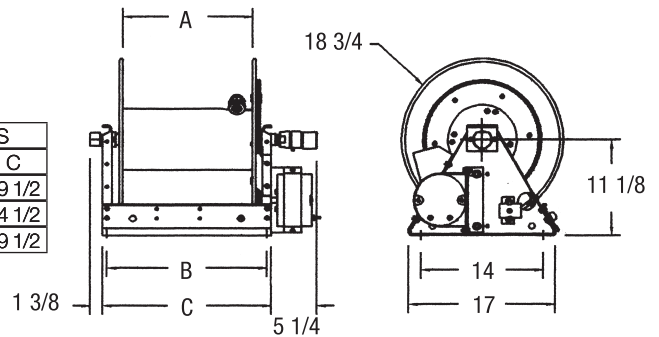


All reels shipped less hose unless requested on quote basis.

Inlet — 5 - 1/2" FPT    Max. Temp. — 200°F  
10 - 1" FPT

Mounting holes 1/2" dia.

SERIES	DIMENSIONS		
	A	B	C
E15	15	18 1/2	19 1/2
E20	20	23 1/2	24 1/2
E25	25	28 1/2	29 1/2



For 3/8", 1/2", 3/4", and 1" Hose I.D.

## E Series

### 12V DC MOTOR DRIVEN HOSE REELS

For applications in the Lawn Care, Agricultural, Service Truck and many Industrial applications.

### FEATURES

- Motor sprocket and chain pinch points are safe guarded
- Flow through shaft for universal installation
- Self lubricating ABS bearings
- External swivel can be serviced on the reel
- Motor bracket assembly allows ease of chain tightening
- Pre-wire option available
- Mounting base is light and strong

#### 12V DC Motor Driven for 3/8" & 1/2" Hose

Model Number	Operating Pressure	Capacity Hose I.D.		Shipping Weight
		3/8"	1/2"	
E 15-5	4000 PSI	350 FT.	275 FT.	64#
E 20-5	4000 PSI	450 FT.	375 FT.	68#
E 25-5	4000 PSI	550 FT.	475 FT.	72#

#### 12V DC Motor Driven for 3/4" and 1" Hose

Model Number	Operating Pressure	Capacity Hose I.D.		Shipping Weight
		3/4"	1"	
E 15-10	300 PSI	100 FT.	75 FT.	66#
E 20-10	300 PSI	125 FT.	100 FT.	70#
E 25-10	300 PSI	150 FT.	125 FT.	74#

Guide system available for 10", 15", 20", 25" wide reels. sold separately (page 20).  
Reel can be factory pre-wired at additional cost. E Series Reel must be shipped by truck only.

# HOSETRACT

## HOSE REELS



BRIGHT SIDE LIGHT AND MAGNIFIED END LIGHT

## Stubby II Light Cord Reels

### FEATURES

- Clear lamp cushion and bumper at end of light allow maximum light out at the end, yet protect the lamp from impact
- On-off switch in handle is protected from dirt and moisture
- Outer tube and magnifying lens are tough poly carbonate material
- Patented Rough Service PLS-13 lamp is rated at 10,000 hrs. and produces 900 lumens

Model Number	Description	With Switch in Lighthead	With Tool Tap	Cord Specs		Lamp Specs		WT.
				Length	Type	Type	Size	
ECL40	Stubby II, 40' Reel	Yes	No	40'	18/2 SJTOW	PLS-13	13 Watt	11#
ECLT40*	Stubby II, 40' Reel	Yes	Yes	40'	18/3 SJTOW	PLS-13	13 Watt	11#

\* Tool Tap 10 Amps Max.



### HOSE STOPS FOR SPRING RETRACTABLE REELS



**1234A**  
Hose Stop  
Assembly 1/4"



**1233A**  
Hose Stop  
Assembly 3/8"



**1232A**  
Hose Stop  
Assembly 1/2"



**1235A**  
Hose Stop  
Assembly 3/4"



**1236A**  
Hose Stop  
Assembly 1"

### MOUNTING ACCESSORIES

#### D, DS Series



**1839A**  
Ceiling Mount  
Bracket Version II D

#### Unitract™, B, C, CS Series



**1279A**  
I-Beam Bracket  
Assembly



**1282A**  
Swivel Bracket  
Wall Assembly



### SWIVELS



1498A



1245A



1238A



1165A



1413A



1834

Model Number	Description	Series	Use
1498A	Swivel Assembly 1/4" HP	B	Grease
1245A	Swivel Assembly w/Elbow Steel Plated	Unitract, C, D, G	Air/Water
1238A	Medium Press Swivel w/Elbow - 1/2MXF	C,D,G	Hydraulic Oil/Pres. Wash
1165A	High Pressure Swivel Assembly	C,D,G	Grease
1413A	Swivel Assembly - Oxy/Act	Unitract, C	Oxy/Act
1834	Super Swivel 1/2M x 1/2F Steel/Zinc	C	Trim Unit



1730



1447



11872

Model Number	Description	Series	Use
1730	Swivel 1/2" F x 1/2" F Melonite 4000	M, E, SFM, SFE - 3/8" & 1/2"	—
1730-EP*	Swivel 1/2" F x 1/2" F Melonite 4000 EPDM	M, E, SFM, SFE - 3/8" & 1/2"	Hot Water, Max 200° F
1730-V*	Swivel 1/2" F x 1/2" F Melonite 4000 VITON	M, E, SFM, SFE - 3/8" & 1/2"	Chemical
1447	Super Swivel 1/2" F x 1/2" F Steel/Zinc	M, E, SFM, SFE - 3/8" & 1/2"	Standard
11872	Super Swivel 1" - Zinc	D, M, E, SFM, SFE - 3/4" & 1"	Standard
23871	Super Swivel 1" - Nickel	DS - 3/4" & 1"	Standard

\* Models not shown.



### GUIDE ROLLER SYSTEMS



5023A



1224A



1347A

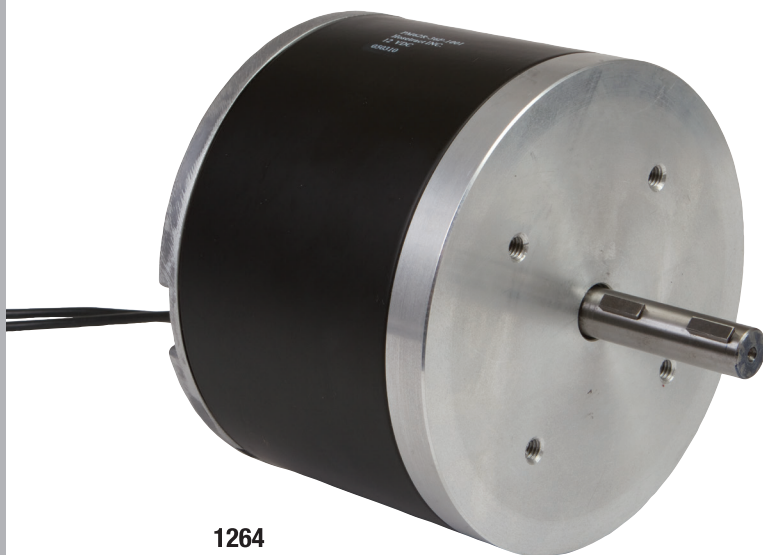
#### Unitract™, C, CS Series

- 1224A Guide Roller Assembly Fluted Rollers
- 5023A Guide Roller Assembly Smooth Rollers

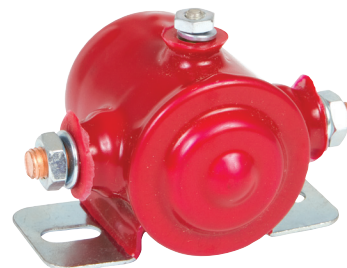
#### M, E Series

- 1347A Outrigger Guide System 10"
- 1344A Outrigger Guide System 15"
- 1345A Outrigger Guide System 20"
- 1346A Outrigger Guide System 25"

### E SERIES REPLACEMENT PARTS



1264  
12V DC Motor



1198 Solenoid



1197  
Momentary Switch



# HOSETRACT

## HOSE REELS

### WARRANTY AND PRODUCT RETURN POLICY

Hosetract hose reels, except hose, are warranted to the original user against defects in material and workmanship under normal use and with proper installation, for one year after date of purchase. Any part, except noted exclusions, shipped prepaid to the factory, which is determined to be defective in material or workmanship will be repaired or replaced. Components not manufactured by Hosetract such as hose and optional swivel choices are excluded from Hosetract's warranty. Hosetract strives to maintain high quality product and the simplistic design reduces field service time. If however, there is a need to return product, Hosetract's return policy is stated below:

- All returns & warranty repair issues must be accompanied with a RGA#. Call Hosetract at (260) 489-8828 to acquire this authorization number and have the model and serial number of the reel available.
- Hosetract will record your return and give shipping or repair instructions.
- Hosetract reserves the right to evaluate the returned product for warranty repair, replacement or credit.
- Shipping damage is considered non-warranty, since it is out of Hosetract's control, and must be signed for as damaged when received, so that a claim may be filed with the carrier. Replacement parts can be ordered as stock items.
- Non-warranty returns will be charged a 15% restocking fee, to be deducted from credit issued.
- Non-Hosetract products returned for warranty (other reel manufacturers) cannot be returned. Check model and serial numbers.

### MAINTENANCE INSTRUCTIONS

- ALL HOSETRACT REELS ARE PERMANENTLY LUBRICATED AT THE FACTORY AND REQUIRE NO FURTHER LUBRICATION.
- REPLACEMENT HOSES AND HOSE STOPS ARE AVAILABLE FROM THE FACTORY.
- FOR REPAIRS OR REPLACEMENT PARTS CONTACT THE FACTORY OR YOUR REPRESENTATIVE

Hosetract Industries reserves the right to at any time make the necessary changes as is required to update their products.

No portion of this catalog content shall be reproduced without the express consent of Hosetract Industries.

#### HOSETRACT INDUSTRIES, LTD.

P.O. BOX 80008  
FORT WAYNE, IN 46898  
TELEPHONE (260) 489-8828  
FAX (260) 489-6088

TERMS: U.S. Currency Net 30 Days F.O.B. Factory

**WHEN PLACING YOUR NEXT ORDER,  
USE OUR TOLL FREE NUMBER:  
888-489-8828**

HOSETRACT 





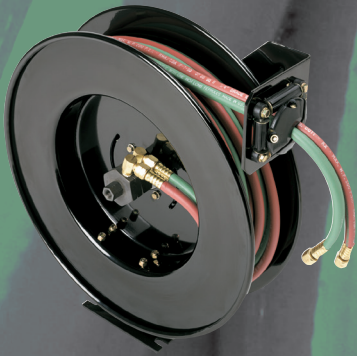
Unitract Series



B Series



C Series



Oxygen/Acetylene Series



Unitract Nitrogen Delivery



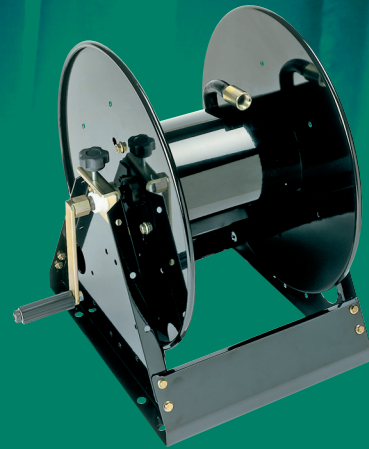
D Series



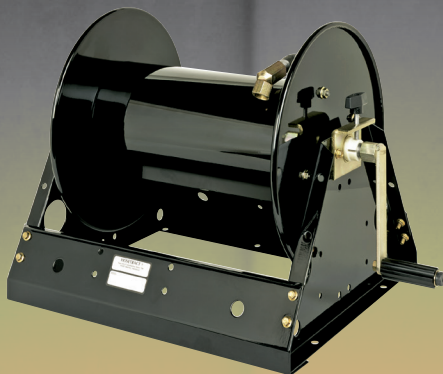
Stubby 2 Series



E Series



M Series



Low-Pro Series

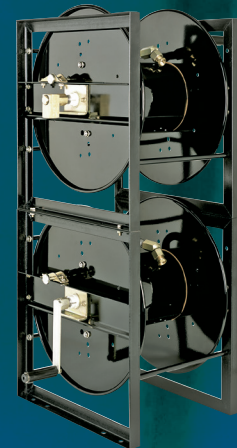
# HOSETRACT

**HOSE REELS**  
YOUR REEL CONVENIENCE STORE<sup>®</sup>

P.O. Box 80008 (46898)  
6433 Discount Drive  
Fort Wayne, IN 46818  
Phone: 260-489-8828  
Fax: 260-489-6088

**888-489-8828**

2013 Product Guide



Stack Frame Series